

SECO Ni Folding Arm Actuator

400N 90° Roller / Fixed Actuator



SECO Ni Folding Arm Actuator

The SECO Ni Folding Arm Actuator is a certified solution designed to provide precise and reliable operation of doors utilised for smoke ventilation applications.

SE Controls manufacture this high-quality actuator with the following features:

- Tested to smoke vent standard EN12101-2 : 2003 for open out podium and stair access/ smoke extract with selected profiles*
- 'Frequency of operation' data logging records every actuator movement
- Compact design
- Suitable for left and right handed doors
- Built in VFC for operation of electric strikes or magnetic locks
- Standard finish is Grey RAL 9006, can be customised to suit requirements
- Standard flex length is 2m but this can be modified to suit installation requirements
- Roller option for open out manually openable doors fitted with concealed closures and fixed bracket options for open in and out secured applications.

* Please check the actuator and profile combination is certifiable, contact SE Controls for further information

** Doors utilised for access with a roller detail need to be fitted with concealed closers



Combined Access & Smoke Vent Door

Accreditations



Tested to EN12101-2 : 2003*

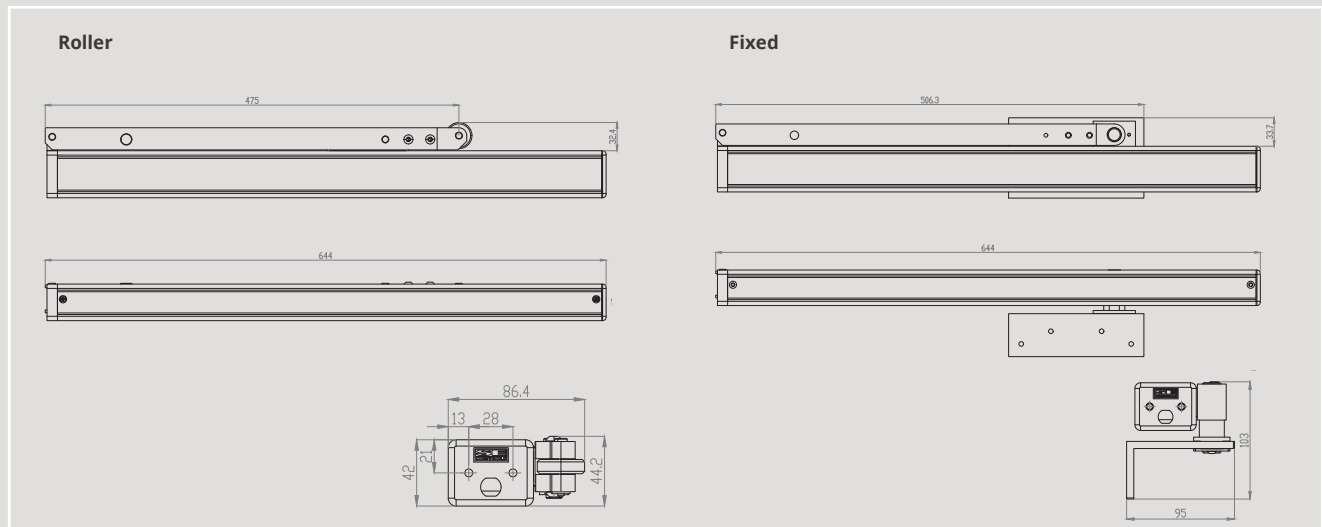


Please ensure the controllers have a minimum 1 second delay between switching AND a Permissible Ripple Voltage of 1V if they are not SE Controls products.

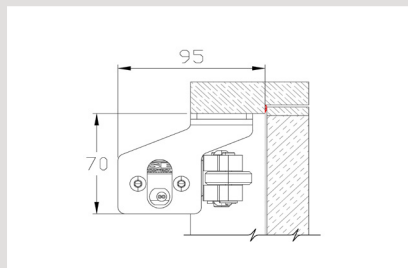
The SECO Ni Folding Arm Actuator has been tested to EN12101-2:2003 with the following systems.



Technical Drawing



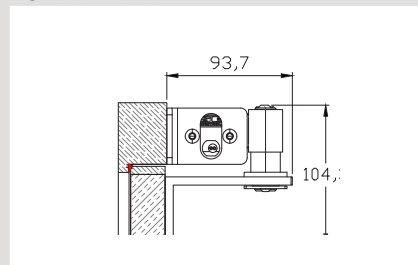
Timber Frame Cross Corridor Door



Bracket Product Code

AKS2000001 Roller Bracket Set

Open In Door

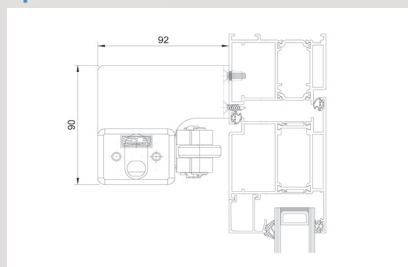


Bracket Product Codes

AKS2000002 Fixed Bracket Set

AKS2000003 Pivot/Slider Set

Open Out Door



Bracket Product Code

AKS2000004 0mm offset Open-Out

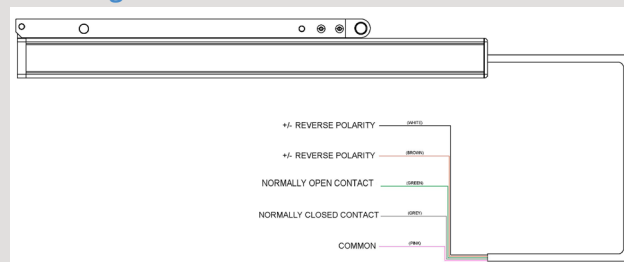
Please contact our Technical Support Team for advice on brackets for specific applications.

Technical Data

Actuator	SECO Ni Folding Arm Actuator
Actuator Type	24V dc Folding Arm Actuator
Voltage (all +/-5%)	24V dc
Current Draw (Amp)	1.0A
Stroke/Opening Angle	0-600mm / 0-90° programmable
Operating Speed	15mm/sec
Ambient Operating Temp	-5°C to +60°C
Thrust Force	400N
Close Force	400N
Soft Close	Yes
Switching	Electronic
Standard Finish	Grey (RAL 9006)
Seal Relief	Programmable up to 20mm
Colour Option	Other RAL colours available on request
Flex Length	2m
Flex Type	5 Core - 2x 0.75mm ² (Power) / 3x 0.25mm ² (Comms)
Flex Colour	Black
Product Warranty	15,000 operational cycles or 12 months*
Duty Cycle	22% (2 mins on, 7 mins off)
IP Rating	IP20
Bracket	Frame Mounted Roller / Door Mounted Fixed
Synchronisation	Optional in pairs

* Commercial terms for each project will supersede this warranty information.

5 Wiring Detail



For wiring to Electric Strikes or Magnets, refer to the product O+M Manual or contact SE Controls for guidance.

Product Codes

AFS14009001	Folding Arm Actuator 400N 90° Roller Type 5 wire
AFS14009002	Folding Arm Actuator 400N 90° Fixed Type 5 Wire