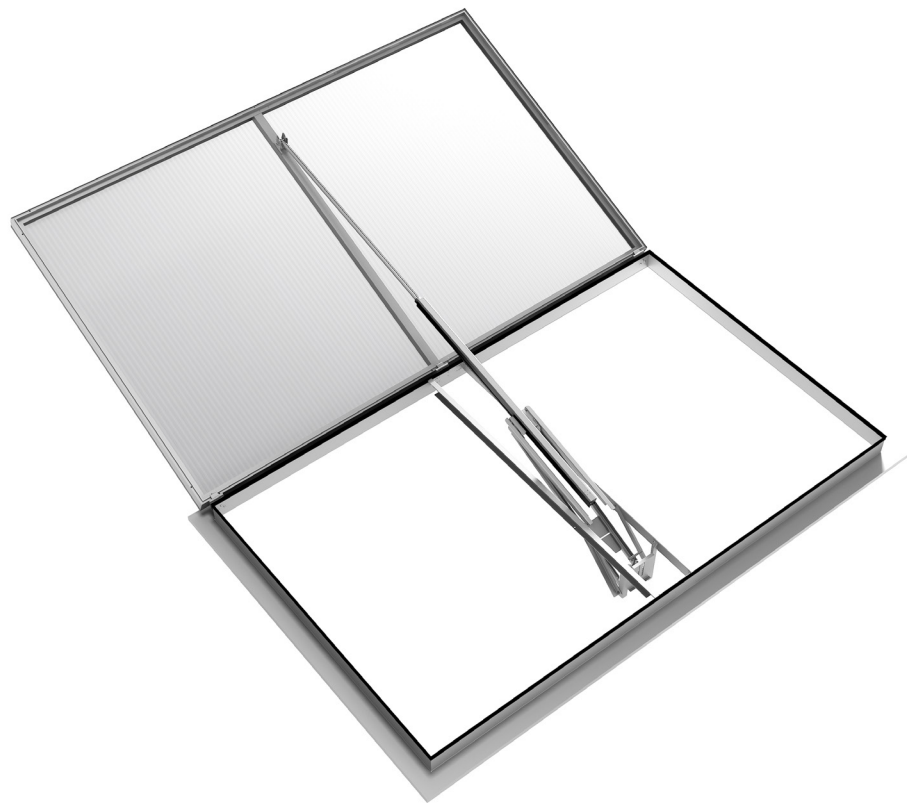


PRODUCT FEATURES

COVIA is a single flap smoke vent suitable for the removal of large quantities of warm air and / or smoke from a building within a short period of time, daily ventilation and natural lighting. Suitable for utilization on various kerbs and domes. The vents are manufactured according to EN-ISO 9001 quality control standards and comply with the European requirements for NSHE according to EN 12101-2. The vents are formed from high quality corrosion resistant aluminium to ensure low maintenance requirements and watertightness.

Various methods of operation using pneumatic or electric actuators are available. COVIA is a perfect solution for preventive fire protection in staircase rooms and can also work as a roof access system. Within the range on the minimum and maximum possible construction sizes, the devices can be supplied in variable dimensions.





COVIA

TYPICAL APPLICATIONS

May be installed either onto roofs or into barrel vault daylighting systems. Particularly suitable for warehouses; logistics centres, production environments and industries, staircase rooms.

MATERIALS

Aluminium; tempered, sea water and corrosion-resistant AlMg3 and extruded aluminium profiles for the frames. Corrosion-resistant bearings. The aluminium is supplied untreated as standard. Free of silicones.

DIMENSIONS

Roof opening width W: 800, 1000, 1200, 1400, 1500 and 1800 mm
Roof opening length L: from 1000 up to 3000mm
Alternative Dimensions on demand

OPENING ANGLE

140°, 150° and 160°

CONTROLS FIRE VENTILATION

Traverse with pneumatic cylinder
Traverse with electrical motor 24V
Traverse with electrical motor 48V

FLAPS

AL	Single Aluminium *
AL ISO	Double insulated aluminium (20 and 50mm) *
PC16	Polycarbonate 16mm, clear or opal
PC25	Polycarbonate 25mm, clear or opal
PC32	Polycarbonate 32mm, clear or opal
TB	Thermal break in the aluminium profiles. (Available for flaps of AL ISO *, PC25 mm, PC32 mm)

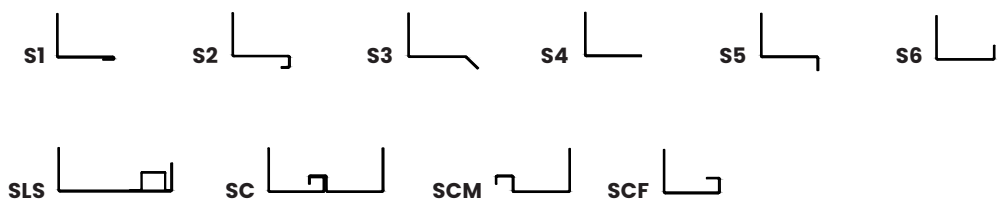
**aluminium sheet limited to one dimension at 1400mm (width or length)*

BASES

Single aluminium
 Double insulated aluminium
 Double insulated aluminium and TB, thermal break in the aluminium base
 Other non-standard bases available upon request

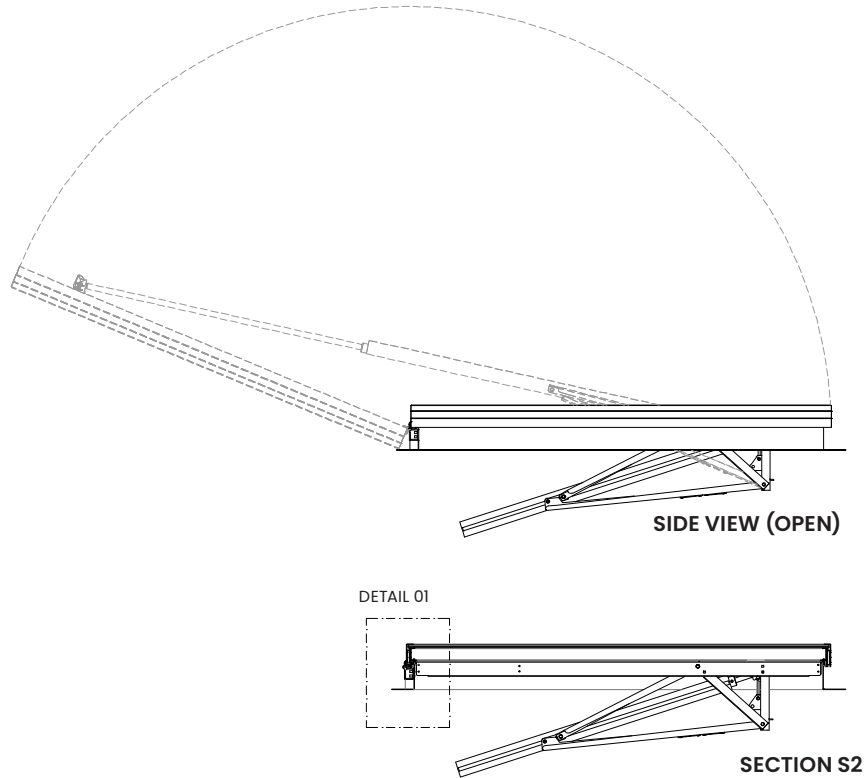
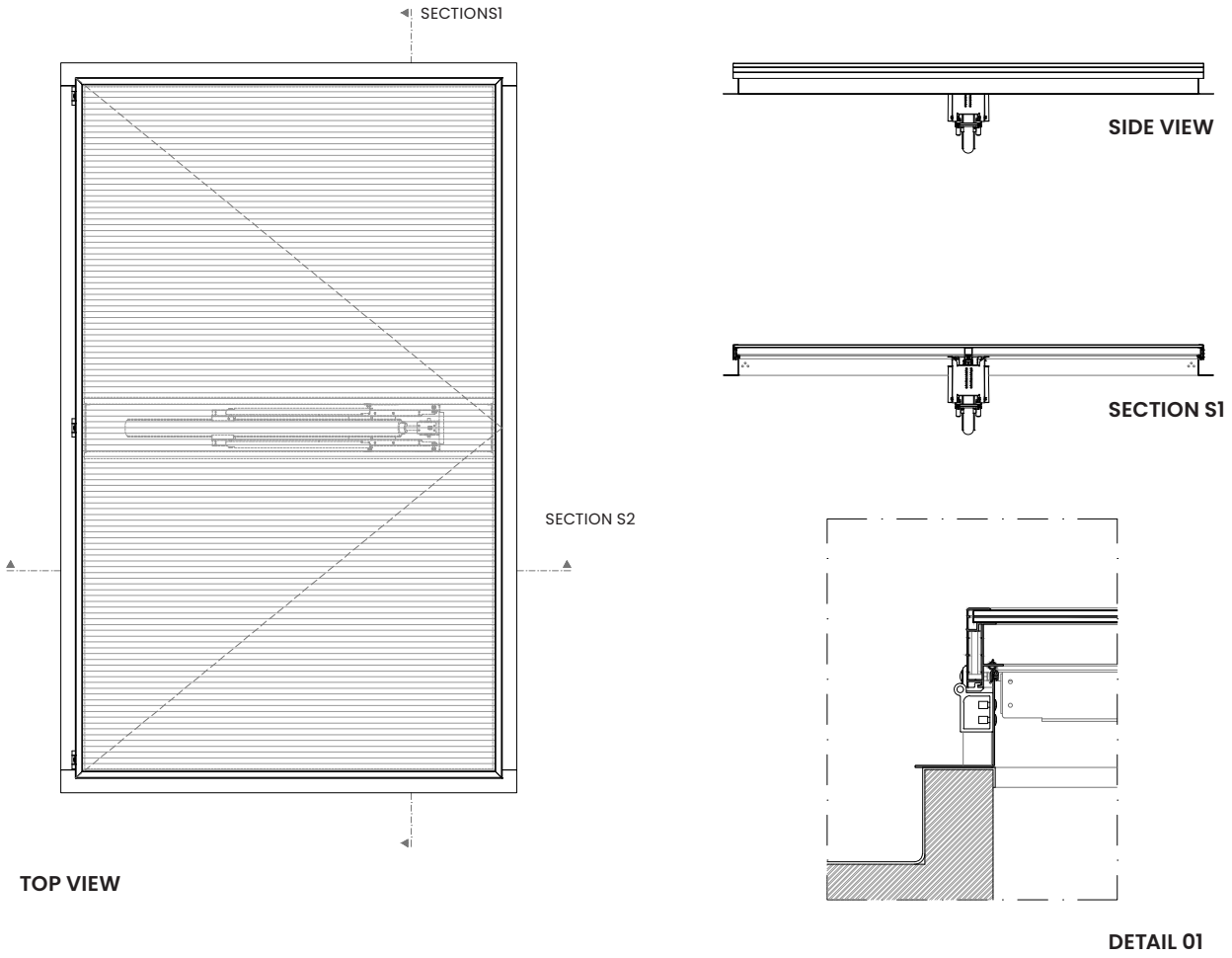
FLANGES

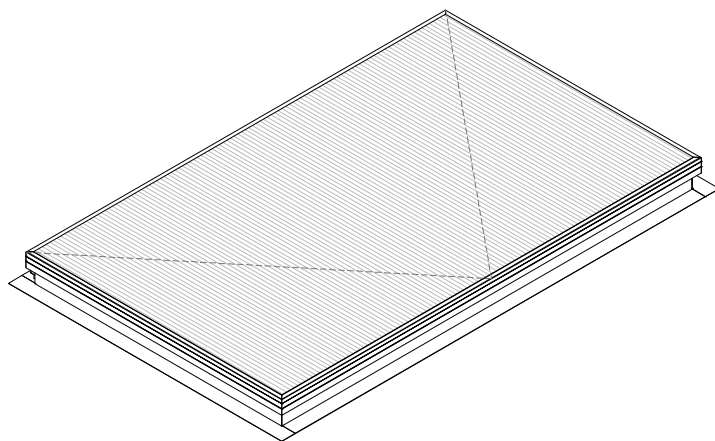
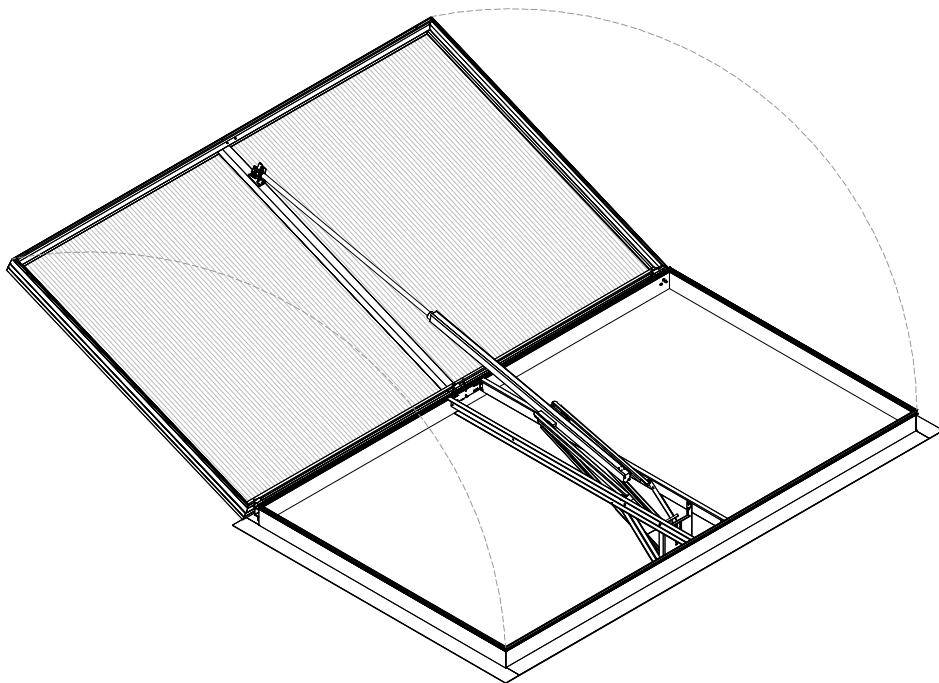
S1	Flange for single glass
S2	Flange for double glass
S3	Flange for roofs, 45° bended
S4	Flange for roofs and facades
S5	Flange for upstand, 90° bended downwards
S6	Flange 90° bended upwards
SLS	Flange for skylight connection (different polycarbonate thicknesses)
SC	Flange for connection with other flange (vents connection, SCM Flange for male connection and SCF flange for female connection).



WEIGHT

Depends on dimensions and type of infill





PERSPECTIVE VIEW